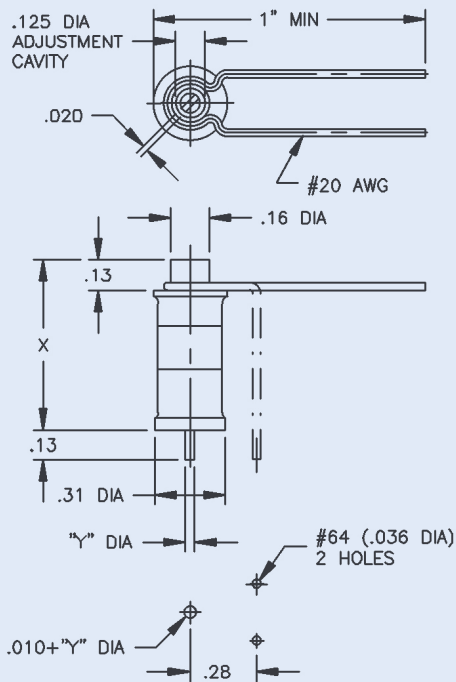


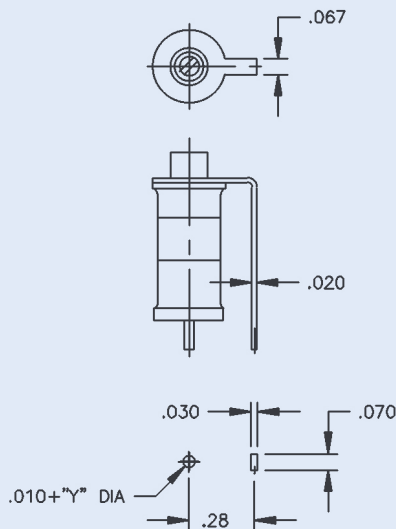
# "TF" SERIES - Vertical P.C. Mount Glass Trimmer Capacitors



\*1.25 in. on TF12, 17, 28, and 36 styles.

"Y" DIA: Standard units are .040. For different diameter pins substitute "B" - .063 or "C" - .093 for "A" in type number.

## ALTERNATE DESIGN WITH RIBBON LEAD (add R to Type No.)



## ANNULAR BAND

Type	Capacitance Range (pF)		X ± .03	Q (Min.) 1 MHz	DC Working Voltage
	From Below	To Above			
TF5A	0.8	4.5	.47	650	750
TF6A	0.8	5.5	.47	700	750
TF8A	1.0	8.5	.62	700	750
TF9A	0.8	8.5	.70	650	750
TF11A	1.0	11.0	.70	700	750
TF12A	0.8	12.0	.90	650	750
TF17A	0.8	16.0	.90	700	750

## EMBEDDED BAND

Type	Capacitance Range (pF)		X ± .03	Q (Min.) 1 MHz	DC Working Voltage
	From Below	To Above			
TF10A	1.2	10.0	.43	800	500
TF14A	1.5	14.0	.53	700	1000
TF15A	1.2	16.0	.48	800	500
TF16A	1.0	16.0	.53	800	1000
TF22A	2.0	22.0	.58	800	500
TF25A	2.0	25.0	.58	800	500
TF28A	1.0	28.0	.77	700	1000
TF36A	1.0	36.0	.77	800	1000

For General Specifications, please see  
"Glass & Quartz General Specifications" page.

<b>IN</b>	0.005	0.010	0.020	0.03	0.036	0.040	0.063	0.067	0.070	0.093	0.125	0.13	0.16	0.24
<b>MM</b>	0.13	0.25	0.51	0.76	0.91	1.02	1.60	1.70	1.78	2.36	3.18	3.30	4.06	6.10

<b>IN</b>	0.28	0.31	0.43	0.47	0.48	0.53	0.58	0.62	0.70	0.77	0.90	1.00	1.25
<b>MM</b>	7.11	7.87	10.92	11.94	12.19	13.46	14.73	15.75	17.78	19.56	22.86	25.40	31.75