

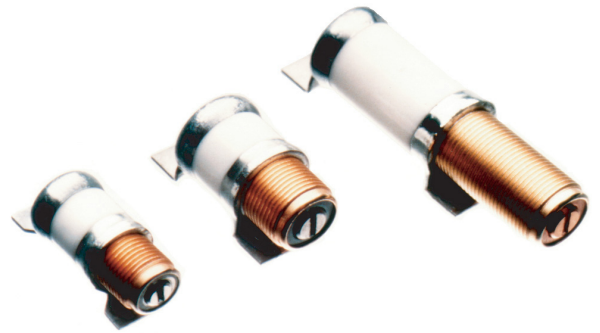
High Voltage, High Range SERIES - PTFE Dielectric Trimmer Capacitors

AVAILABLE IN NON-MAGNETIC VERSIONS

THE ONLY INTERNALLY-SEALED HIGH VOLTAGE PTFE TRIMMERS

- 1,200 to 2,000 DC withstanding voltage
- 1, 4, 9, 10, 16, 23, 30, 40 and 55 pF maximum capacitance ranges

Voltronics concentric ring PTFE dielectric trimmer capacitors are designed for use at frequencies up to 1.5 GHz. They are ideal for HIGH VOLTAGE applications. The solid internal PTFE dielectric prevents ionization, a major advantage in space, high altitude and high voltage applications. The unique internal O-ring seal makes wave soldering and vapor degreasing possible without the need to attach a separate cap.



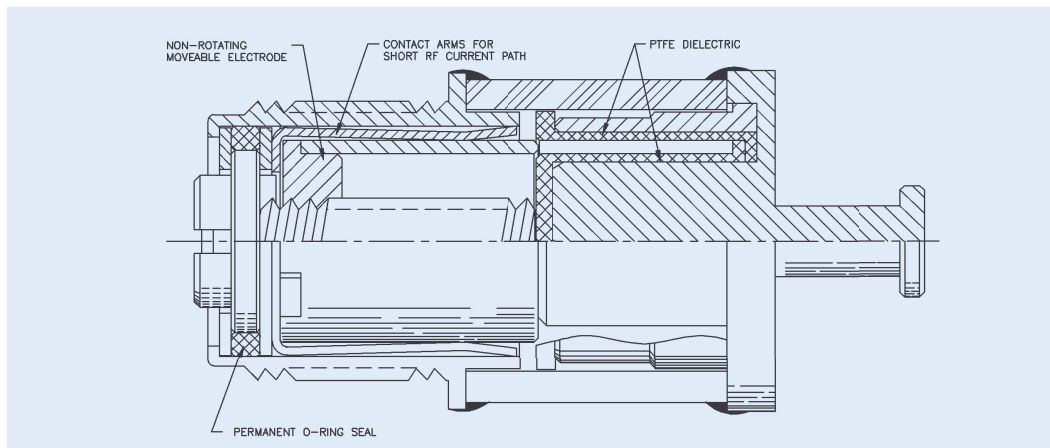
Other features include:

- 10 or 29 linear turns
- Internal stops
- Extreme stability under shock & vibration
- Screw head does not move in or out
- Extended shaft option of metal or plastic
- Long life with no dynamic tuning noise

Available in two styles:

A_HV and K_HV Series - Solder sealed ceramic body

E_HV and KE_HV Series - Epoxy sealed plastic body



PTFE DIELECTRIC TRIMMER

High Voltage, High Range SERIES - PTFE Dielectric Trimmer Capacitors

GENERAL SPECIFICATIONS

	A_HV SERIES	E_HV SERIES	K_HV SERIES	KE_HV SERIES
Q at 1 GHz at maximum rated C*			780 (1pF)	
Q at 100 MHz at maximum rated C*	2000 (4, 10, 16, 23, 30 & 40pF)	2000 (4, 10, 16, & 23pF)	2000 (4, 9, 15pF)	2000 (4, 9, 15pF)
Q at 75 MHz at maximum rated C*	780 (55pF)			
Temperature Coefficient	50 ± 50ppm/°C 0 ± 100ppm/°C (40pF & 55pF)	50 ± 50ppm/°C	50 ± 50ppm/°C	50 ± 50ppm/°C
Insulation Resistance	10 ⁶ megohms	10 ⁶ megohms	10 ⁶ megohms	10 ⁶ megohms
Seal	40 pounds/in ²	40 pounds/in ²	40 pounds/in ²	40 pounds/in ²
Operating Temperature	-65°C to +125°C	-65°C to +125°C	-65°C to +125°C	-65°C to +125°C
Rotational Life	600 turns	600 turns	600 turns	600 turns
Torque	0.5-5.0 in-oz	0.5-5.0 in-oz	0.5-5.0 in-oz	0.5-5.0 in-oz
Vibration	50g, 10-2000 Hz	50g, 10-2000 Hz	50g, 10-2000 Hz	50g, 10-2000 Hz
Shock	1500g, 0.5 millisecs.	1500g, 0.5 millisecs.	1500g, 0.5 millisecs.	1500g, 0.5 millisecs.
Drawing Tolerances where not specified	XXX ± .005 XX ± .016	XXX ± .005 XX ± .016	XXX ± .005 XX ± .016	XXX ± .005 XX ± .016

*Self-resonant frequency and Q are measured with no terminals on parts

Options

The “SD” Option - for applications requiring high reliability but lower voltage:

Part Number	Working Voltage	Withstanding Voltage
K_1SD	250	500
A or K_4SD	250	500
A_25SD	125	250
A_30*	250	500
A_40SD	250	500
A_55SD	125	250

NOTE: A_30 not available in high voltage configuration.

Extended Shaft Options

Extended Metal Shaft: Add “E” to Part Number, i.e., AT10HVE.

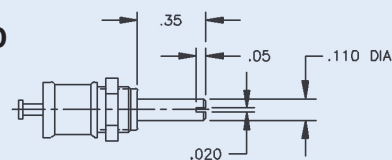
Extended Plastic Shaft: Add “EI” to Part Number, i.e., EF10HVEI (Same as metal shaft except .44” by .16”)

Non-Magnetic Options:

All HV parts can be ordered as non-magnetic. Add “NM” to part number, i.e., NMAT25HV, NMKP10HV, NMAJ40HV.

A_HV AND E_HV OPTIONS

EXTENDED METAL SHAFT



IN	0.015	0.020	0.028	0.03	0.031	0.036	0.040	0.047	0.05	0.06	0.062	0.067	0.09	0.11	0.12	0.125	0.13	0.14	0.16	0.17	0.19	0.20	0.22	0.242	0.25	0.28	0.29		
MM	0.38	0.51	0.71	0.76	0.79	0.91	1.02	1.19	1.27	1.52	1.57	1.70	2.29	2.79	3.05	3.18	3.30	3.56	4.06	4.32	4.83	5.08	5.59	6.15	6.35	7.11	7.37		
IN	0.30	0.31	0.34	0.48																									
MM	7.62	7.87	8.64	12.19																									