

# Air Trimmer Capacitors



## THE ONLY INTERNALLY-SEALED AIR TRIMMER

Voltronics' concentric ring air trimmer capacitors are designed for use at frequencies up to 1.5 GHz. They are ideal for applications such as mobile radios, aerospace communication, crystal oscillators and filters, radar, cable TV, and innumerable other commercial and military programs. The unique internal O-ring seal makes save soldering and vapor degreasing possible without the need to attach a separate cap.

Other features include:

- Ten full linear turns
- Internal stops
- Extreme stability under shock & vibration
- Screw head does not move in and out
- Extended shaft option of metal or plastic
- Long life with no dynamic tuning noise

NOTE:

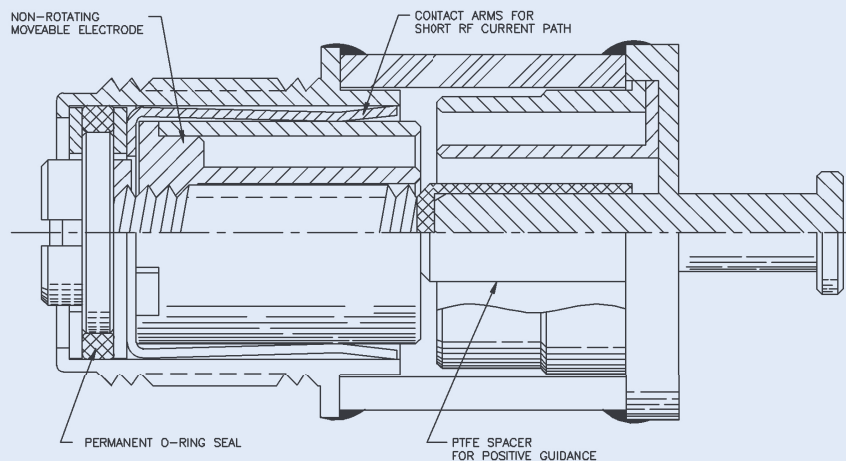
All parts shown here can be ordered as non-magnetic:  
Add "NM" to Part Number, i.e., NMAP10

### Available in two styles:

"A" Series - Solder sealed and qualified to MIL-C-14409D.

"K" Series - Solder sealed.

"E" and "KE" Series - Epoxy sealed for economical commercial applications.

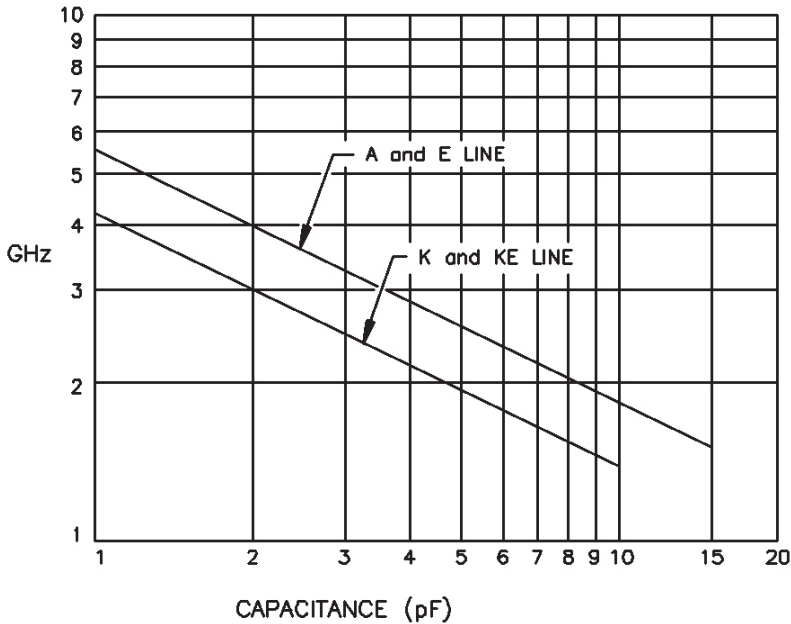


# GENERAL SPECIFICATIONS

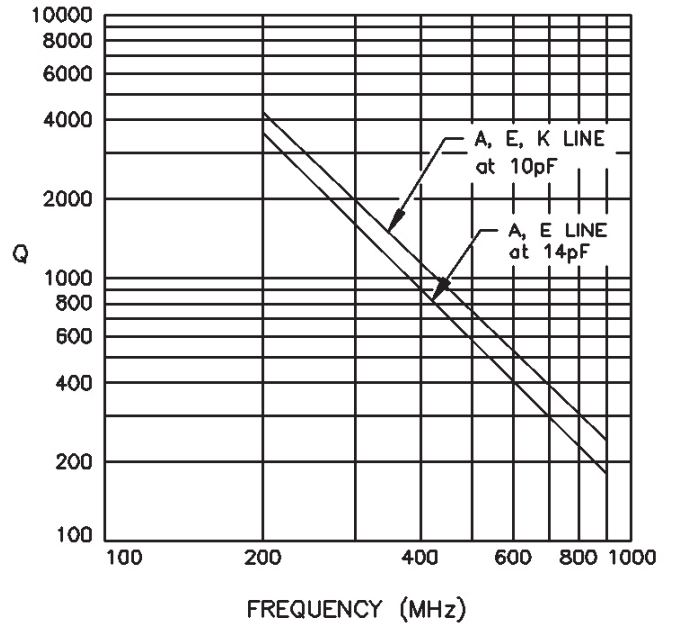
	"A" SERIES	"E" SERIES	"K" SERIES	"KE" SERIES
Temperature Coefficient	50 ± 50 ppm/°C	-50 ± 50 ppm/°C	50 ± 50 ppm/°C	-50 ± 50 ppm/°C
Insulation Resistance	10 <sup>6</sup> megohms	10 <sup>6</sup> megohms	10 <sup>6</sup> megohms	10 <sup>6</sup> megohms
Seal	40 pounds/in <sup>2</sup>	40 pounds/in <sup>2</sup>	40 pounds/in <sup>2</sup>	40 pounds/in <sup>2</sup>
MIL-C-14409 Qualified	YES	NO	NO	NO
DC Working Voltage	125 (14pF) 250 (5 & 10pF)	125 (14pF) 250 (5 & 10pF)	125 (10pF) 250 (8pF)	125 (10pF) 250 (8pF)
DC Withstanding Voltage	250 (14pF) 500 (5 & 10pF)	250 (14pF) 500 (5 & 10pF)	250 (140F) 500 (8pF)	250 (10pF) 500 (8pF)
Q at 100 MHz at Maximum rated C*	3000 (14pF) 5000 (5 & 10pF)	3000 (14pF) 5000 (5 & 10pF)	5000	5000
Operating Temperature	-65°C to + 125°C	-65 °C to + 125 °C	-65°C to + 125°C	-65°C to + 125°C
Rotational Life	10,000 turns	10,000 turns	10,000 turns	10,000 turns
Torque	0.5-5.0 in-oz	0.5-5.0 in-oz	0.5-5.0 in-oz	0.5-5.0 in-oz
Vibration	50g, 10-2000 Hz	50g, 10-2000 Hz	50g, 10-2000 Hz	50g, 10-2000 Hz
Shock	1500 g, 0.5 millisecs.	1500 g, 0.5 millisecs.	1500 g, 0.5 millisecs.	1500 g, 0.5 millisecs.
Drawing tolerances where not specified	XXX ± .005 XX ± .016	XXX ± .005 XX ± .016	XXX ± .005 XX ± .016	XXX ± .005 XX ± .016

\*Self-resonant frequency and Q are measured with no terminals on parts

SELF-RESONANT FREQUENCY



QUALITY FACTOR (Q)



Recommended Tuning Tool: TT-100 or TT-500