

"A_HV" EXTENDED RANGE SERIES - PTFE Dielectric Trimmer Capacitors

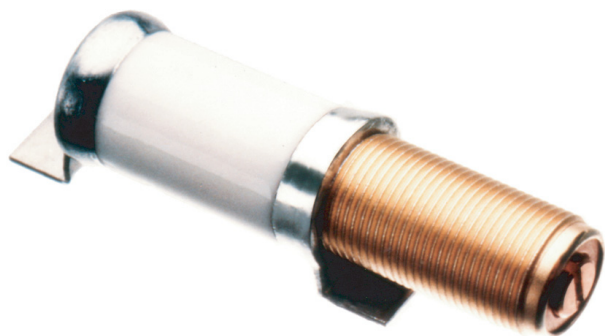


FIG. 1

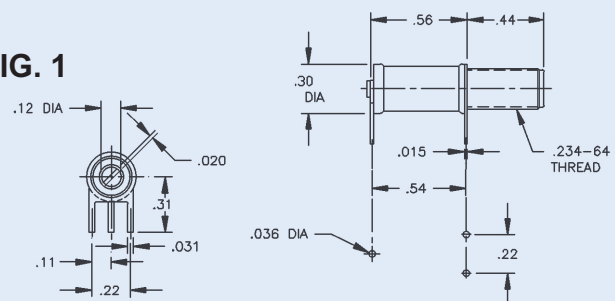


FIG. 2

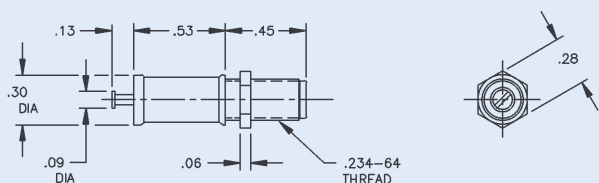
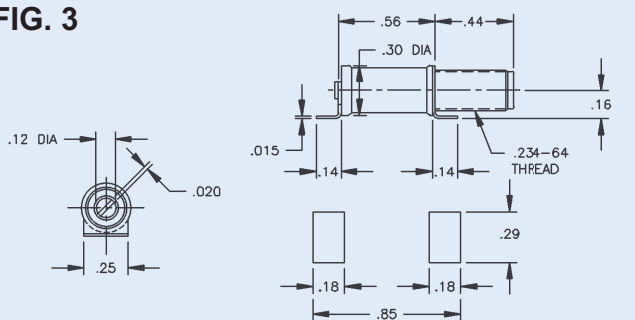
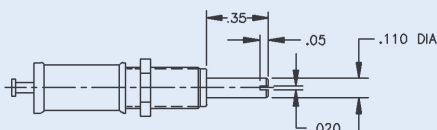


FIG. 3



EXTENDED METAL SHAFT



Part Number	DC Working Voltage	DC Withstanding Voltage	Capacitance (pF)	
			From Below	To Above

FIG. 1

* AP10-5	2500	5000	0.8	10.0
* AP20-5	2500	5000	0.8	20.0
AP40HV	1000	2000	1.5	40.0
AP40SD	250	500	1.5	40.0
AP55HV	600	1200	1.5	55.0
AP55SD	125	250	1.5	55.0

FIG. 2

* AT10-5	2500	5000	0.8	10.0
* AT20-5	2500	5000	0.8	20.0
AT40HV	1000	2000	1.5	40.0
AT40SD	250	500	1.5	40.0
AT55HV	600	1200	1.5	55.0
AT55SD	125	250	1.5	55.0

FIG. 3

* AJ10-5	2500	5000	0.8	10.0
* AJ20-5	2500	5000	0.8	20.0
AJ40HV	1000	2000	1.5	40.0
AJ40SD	250	500	1.5	40.0
AJ55HV	600	1200	1.5	55.0
AJ55SD	125	250	1.5	55.0

Recommended Tuning Tool: TT-100 or TT-500

NOTE: All brushing threads are .234"-64

EXTENDED SHAFT OPTION

Extended Metal Shaft: Add "E" to Part Number, i.e., AT40SDE, AT10-5E

* Q at 100 MHz at maximum rated C: 3000
Temperature Coefficient: 0-100 ppm/°C

IN	0.015	0.020	0.031	0.036	0.050	0.060	0.090	0.110	0.120	0.130	0.140	0.160	0.180	0.220	0.250	0.280	0.290	0.300	0.310	0.340	0.440	0.450	0.530	0.540	0.560	0.850
MM	0.38	0.51	0.79	0.91	1.27	1.52	2.29	2.79	3.05	3.30	3.56	4.06	4.57	5.59	6.35	7.11	7.37	7.62	7.87	8.64	11.18	11.43	13.46	13.72	14.22	21.59