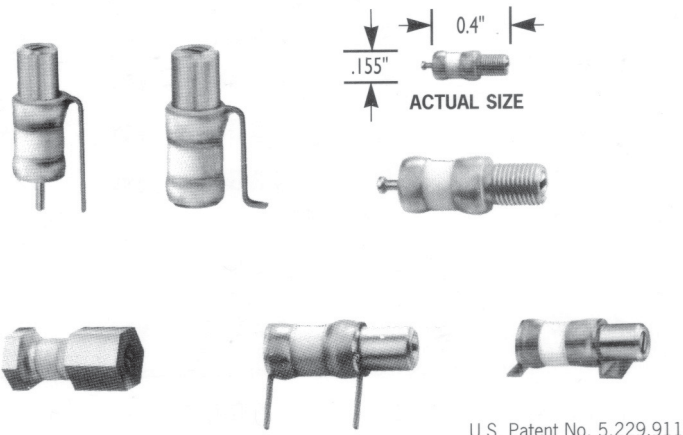


"A1" SERIES - Low Cost Trimmer Capacitors



U.S. Patent No. 5,229,911

The Voltronics A1 Series high reliability solid dielectric trimmer capacitor is an ideal, economical replacement for conventional miniature air and sapphire dielectric trimmers.

High reliability solid dielectric, positive tuning stops and up to 13 full turns of linear turning make the A1 Series an outstanding performer. 40 psi sealed, high voltage and non-magnetic versions are readily available.

GENERAL SPECIFICATIONS

	A1_4	A1_8	A1_12
Capacitance	0.45-4pF	0.5-8pF	0.6-12pF
DC Working Voltage	250	125	125
DC Withstanding Voltage	500	250	250
Self-Resonant Frequency *	2.3 GHz at 4pF	1.7 GHz at 8pF	1.2 GHz at 12pF
Number of Turns	7	7	13
Q (min) at 100 MHz @ Max. C *	4000	3000	2000
Temperature Coefficient	0±50 ppm/°C	0±100 ppm/°C	0±150 ppm/°C
Insulation Resistance @ 25°C	10 ⁶ megohms		
Operating Temperature	-65°C to +125°C		
Tuning Torque	0.3 to 1.0 in-oz		
Shock	1,500g, 0.5 millisecs.		
Vibration	50g at 10-2000 Hz		

* Self-resonant frequency and Q are measured with no terminals on parts

OPTIONS

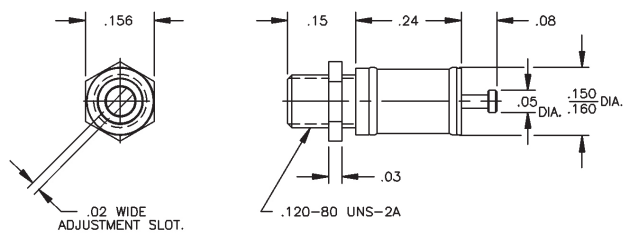
High Voltage Option:	Add "HV" to the part number, i.e., A1T4HV.		
	Specifications are as follows:	DC Volts Working	DC Volts Withstanding
	4pF	1,000	2,000
	8pF	500	1,000
	12pF	500	1,000

Non-Magnetic Option: Most parts shown can be ordered as non-magnetic. Add "NM" to the part number, i.e., NMA1J8.

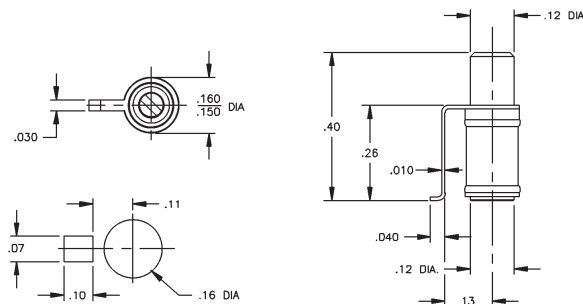
40 PSI Sealed Option: All parts shown can be ordered as 40 psi sealed. Add "S" to the part number, i.e., A1M4S.

Tape & Reel Option: Consult factory for details.

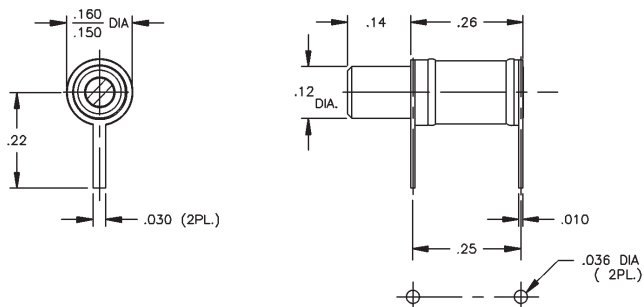
A1T4 0.45 to 4.0pF
A1T8 0.5 to 8.0pF



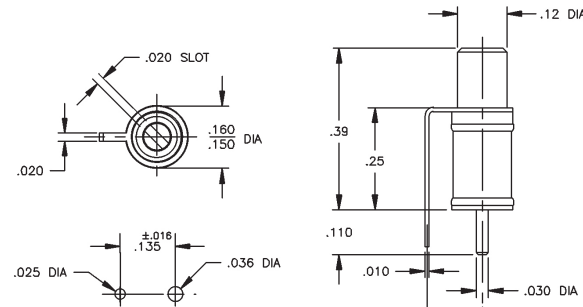
A1M4 0.45 to 4.0pF
A1M8 0.5 to 8.0pF



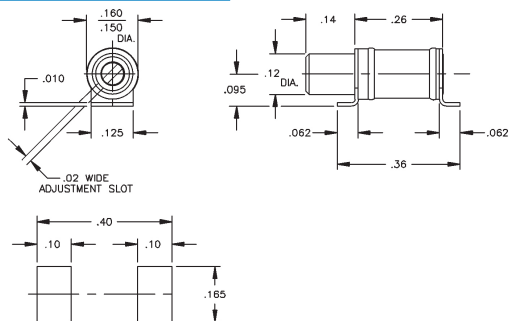
A1P4 0.45 to 4.0pF
A1P8 0.5 to 8.0pF



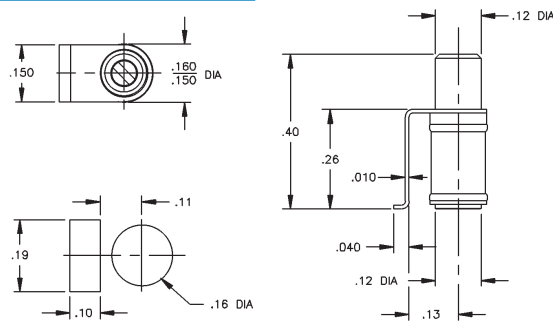
A1F4 0.45 to 4.0pF
A1F8 0.5 to 8.0pF



A1J4 0.45 to 4.0pF
A1J8 0.5 to 8.0pF

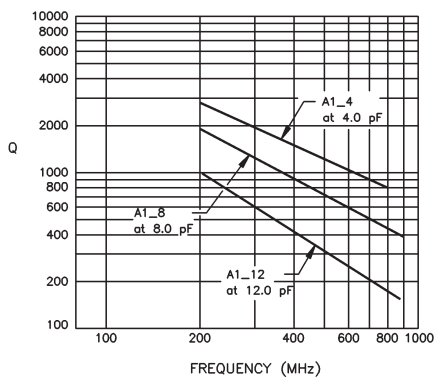


A1W4 0.45 to 4.0pF
A1W8 0.5 to 8.0pF

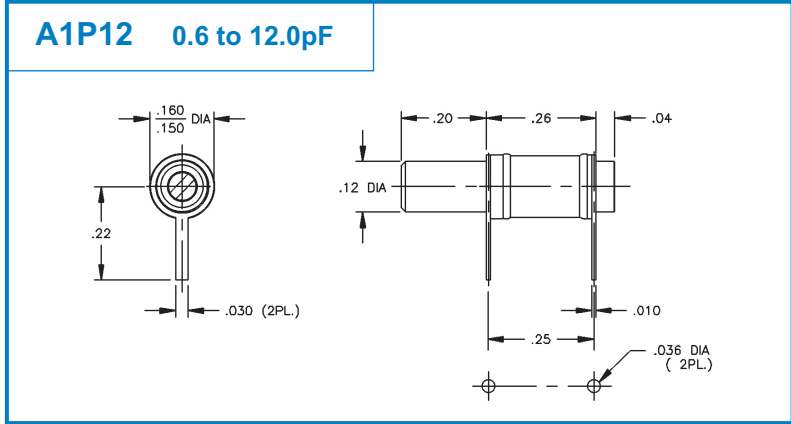
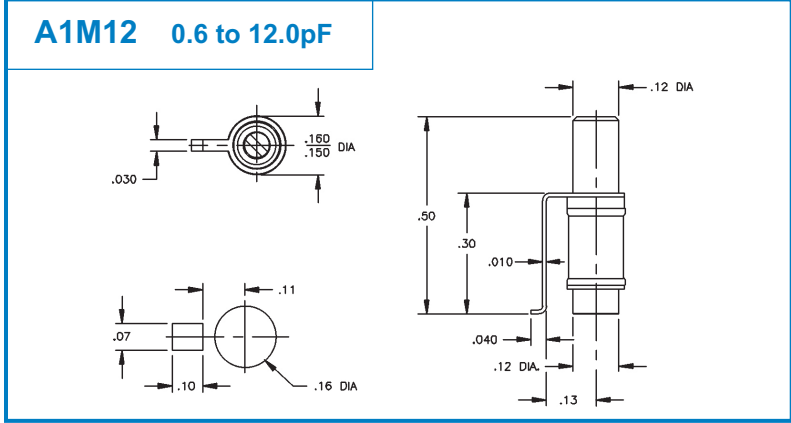
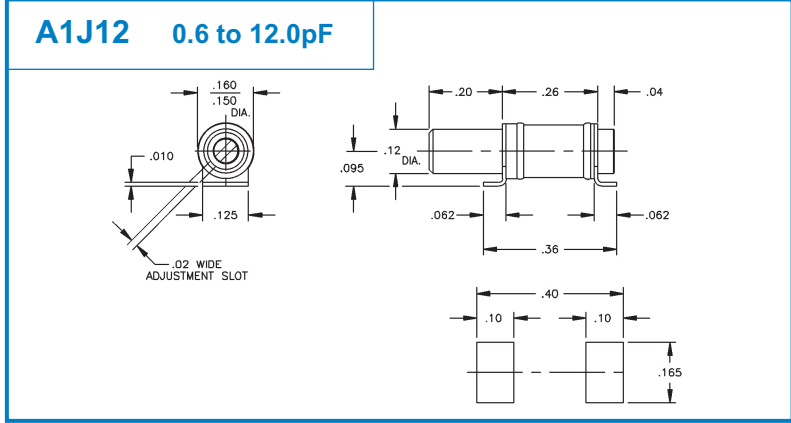


Drawing tolerances where not specified xxx±.005 xx±.016

QUALITY FACTOR (Q)



"A1" SERIES - Low Cost Miniature Trimmer Capacitors



IN	MM	IN	MM	IN	MM
0.010	0.254	0.100	2.540	0.200	5.080
0.016	0.406	0.110	2.794	0.216	5.486
0.020	0.508	0.120	3.048	0.219	5.563
0.025	0.635	0.125	3.175	0.220	5.588
0.030	0.762	0.130	3.302	0.240	6.096
0.036	0.914	0.135	3.429	0.250	6.350
0.040	1.016	0.140	3.556	0.260	6.604
0.050	1.270	0.148	3.759	0.300	7.620
0.062	1.575	0.150	3.810	0.360	9.144
0.070	1.778	0.156	3.962	0.390	9.906
0.080	2.032	0.160	4.064	0.400	10.16
0.094	2.388	0.165	4.191	0.440	11.18
0.095	2.416	0.197	5.004	0.500	12.70

TUNING TOOLS

Metal Tipped					Ceramic Tipped Non-Magnetic				
Part #	Fig.	A	B	Recommended For:	Part #	Fig.	A	B	Recommended For:
TT-400	1	.060	.018	All A1 Series	TT-500	2	.038	.016	All A1 Series

The TT-500 tuning tool is ideal for continual use. It fits into the hand with the rotatable top fixed in the palm. The tip is made of high strength ceramic. Use this tool where metal tip affects tuning.

