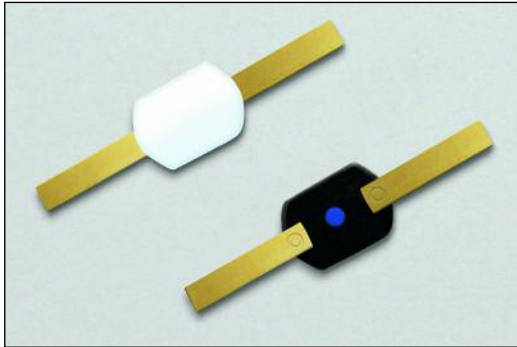




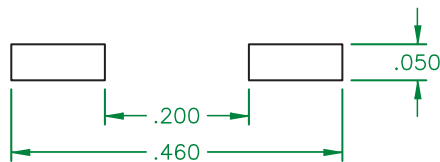
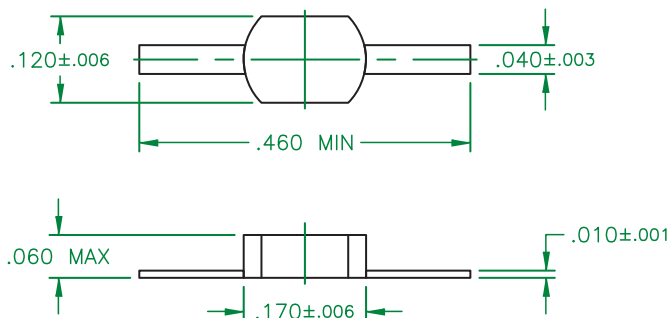
Non-Magnetic Step Recovery Diode



RF Actuated Diode Switch

The MX51363-145 is designed to be used as a surface coil blocking network. The part consists of four step recovery diodes, connected as two anti parallel pairs.

Specifications:	MX51363-145
Q	Greater than 1,000
RMS Power	0.7W at 128MHz
Total Junction Capacitance	Less than 2pF between 50MHz and 150MHz
IF Resistance	1 to 1.5 ohms at 64MHz and 128MHz
Thermal Resistance	Not to exceed 60°C/Watt
Maximum Junction Operating Temp.	125°C
Voltage Breakdown @ 10uA	Greater than 40 Volts
Transition Time	200 picoseconds Max. (150ps Nominal)
Reverse Recovery Time	12ns Minimum
Forward Voltage @ 25mA	.915 Volts Typical



MOUNTING PAD

