

Small Size - High Voltage with Options for Split Stator and Differential Tuning

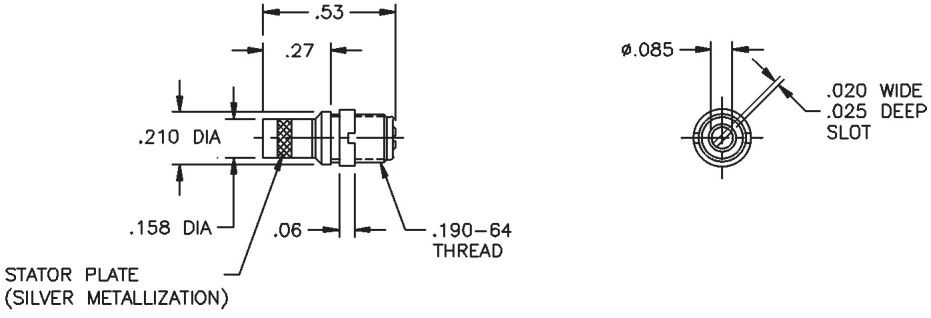
GENERAL SPECIFICATIONS

Q at 100 MHz at maximum rated C	2000
Temperature Coefficient	50±50ppm/°C
Insulation Resistance	10 ⁶ megohms
Operating Temperature	-65 °C to +125 °C
Rotational Life	10,000 turns
Torque	0.5-5.0 in-oz
Vibration	50g, 10-2000Hz
Shock	1500g, 0.5 milliseconds
Drawing tolerances where not specified	xxx±.005 xx±.016

STANDARD SAPPHIRE TRIMMERS

Part Number	NMKZ3	NMKZ7
Capacitance	0.3 to 3pF	0.6 to 7pF
DC Working Voltage	1500	1000
DC Withstanding Voltage	3000	2000

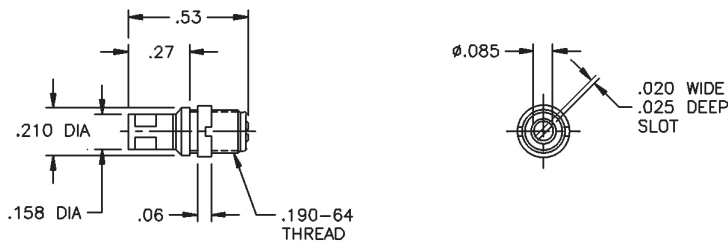
NMKZ3
 NMKZ7



SPLIT STATOR SAPPHIRE TRIMMERS

Capacitance pF						
	Plate/Plate		Plate/Bushing		DC Working Voltage	DC Withstanding Voltage
	Min.	Max.	Min.	Max.		
NMKZ2S	0.3	1.0	0.3	2.0	2000	4000
NMKZ3S	0.3	1.5	0.3	3.0	2000	4000

NMKZ2S
NMKZ3S



DIFFERENTIAL SAPPHIRE TRIMMERS

Capacitance pF						
	C1		C2		DC Working Voltage	DC Withstanding Voltage
	Min.	Max.	Min.	Max.		
NMKS3D	1.0	3.0	1.0	3.0	1000	2000

NMKS3D

