

38 Series .380" X .380"

Non-magnetic High Q Multi-layer Porcelain Chip Capacitors

GENERAL SPECIFICATIONS

Case Size	.380" L x .380" W x .130" H
Capacitance Range	1pF to 5,100pF
DC Working Voltage	7,200 1 to 100pF 3,600 120 to 390pF 2,500 470 to 680pF 1,000 820 to 2,200pF 500 2,700 to 5,100pF
DC Withstanding Voltage	2.5 x Working Voltage
Quality Factor	See chart below
Operating Temperature	-55°C to +125°C
Insulation Resistance @ 25°C	10 ⁵ megohms



Series	Cap. Codes	Tol. Codes	DC Working Voltage	Termination Codes	Material Codes	Lead Codes			
11	OR1	0.1pF	A ± .05pF	50	M	New Flexible Polymer/Ag layer, 400-500μ-in Cu barrier, 200-in Sn plate. (RoHS)	H AH + 90±20ppm/°C	Blank = no leads	
25	100	10pF	B ± .1pF	100	R	New Ag layer, 400-500μ-in Cu barrier, 10,000-12,000μ-in 90/10 Sn/Pb plate.	F CF 0±15ppm/°C	R = Ribbon leads	
38	101	100pF	C ± .25pF	200			S	Original Pd/Ag plate.	L UL 0±30ppm/°C
	102	1000pF	D ± .5pF	300	V	New Ag layer, 400-500μ-in Cu barrier, 100-150μ-in 90/10 Sn/Pb plate.			
			E ± 1%	500					
			F ± 2%	600					
			G ± 1%	1000					
			H ± 5%	1500					
			I ± 10%	2500	W	New Ag layer, 400-500μ-in Cu barrier, 200μ-in 90/10 Sn/Pb plate. (RoHS)			
			J ± 10%	3600					
			K ± 10%	7200					

PART NUMBER

38 — **820** — **G** — **7200** — **M** — **H** — **R**
 Series Capacitance Code Tolerance DC Working Voltage Termination Material Lead

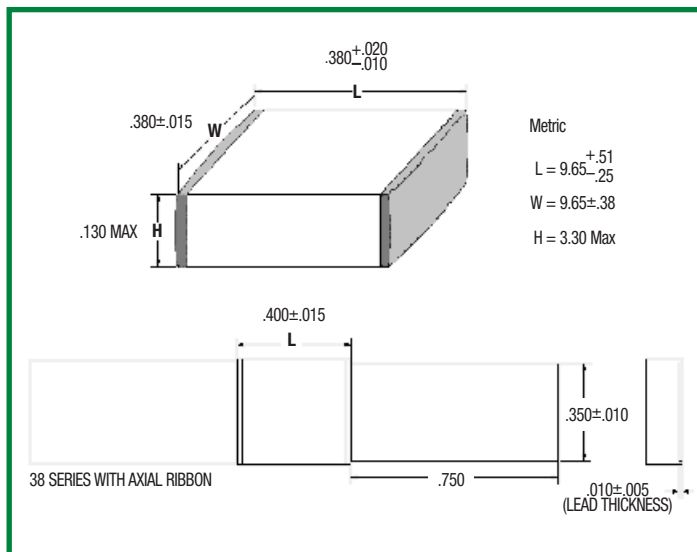
Voltronics Corporation

38 Series Capacitance Values

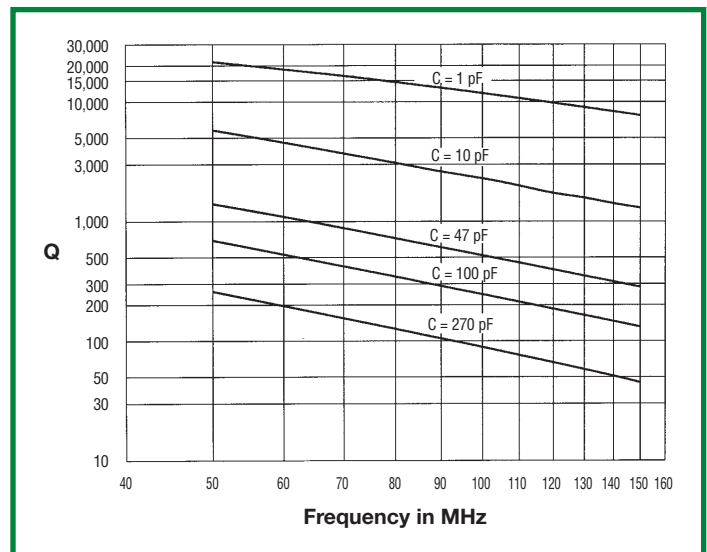
Capacitance (pF)	Capacitance Code	Tolerance	Working Voltage
1	1R0	B,C	7,200
1.2	1R2		
1.5	1R5		
1.8	1R8		
2.2	2R2		
2.7	2R7		
3.3	3R3		
3.9	3R9		
4.7	4R7		
5.6	5R6		
6.8	6R8		
8.2	8R2		
10	100		
12	120		
15	150		
18	180		
22	220		
27	270		
33	330		
39	390		
47	470		
56	560		
68	680		

Capacitance (pF)	Capacitance Code	Tolerance	Working Voltage
82	820	G,J,K	7,200
100	101		
120	121		
150	151		
180	181		
220	221		
270	271		
390	391		
470	471		
560	561		
680	681		
820	821		
1000	102		
1200	122		
1500	152		
1800	182		
2200	222		
2700	272		
3300	332		
3900	392		
4700	472		
5100	512		

OUTLINE DRAWING



QUALITY FACTOR (Q)



NOTE: For a detailed Q chart go to www.voltronicscorp.com