

25 Series .220" X .250"

Non-magnetic High Q Multi-layer Porcelain Chip Capacitors

GENERAL SPECIFICATIONS

Case Size	.220" L x .250" W x .130" H
Capacitance Range	1pF to 2,700pF
DC Working Voltage	2,500 1 to 270pF 1,500 330 to 470pF 1,000 560 to 1200pF 500 1500 to 1800pF 300 2200 to 2700pF
DC Withstanding Voltage	2.5 x Working Voltage
Quality Factor	See chart below
Operating Temperature	-55°C to +125°C
Insulation Resistance @ 25°C	10 ⁵ megohms



Series	Cap. Codes	Tol. Codes	DC Working Voltage	Termination Codes	Material Codes	Lead Codes
11	0R1 0.1pF	A ± .05pF	50	M New Flexible Polymer/Ag layer, 400-500μ-in Cu barrier, 200μ-in Sn plate. (RoHS)	H AH + 90±20ppm/°C	Blank = no leads
25	100 10pF	B ± .1pF	100	R New Ag layer, 400-500μ-in Cu barrier, 10,000-12,000μ-in 90/10 Sn/Pb plate.	F CF 0±15ppm/°C	R = Ribbon leads
38	101 100pF	C ± .25pF	200		L UL 0±30ppm/°C	
	102 1000pF	D ± .5pF	300	S Original Pd/Ag plate.		
		F ± 1%	500	V New Ag layer, 400-500μ-in Cu barrier, 100-150μ-in 90/10 Sn/Pb plate.		
		G ± 2%	600	W New Ag layer, 400-500μ-in Cu barrier, 200μ-in 90/10 Sn/Pb plate. (RoHS)		
		J ± 5%	1000			
		K ±10%	1500			
			2500			
			3600			
			7200			

PART NUMBER

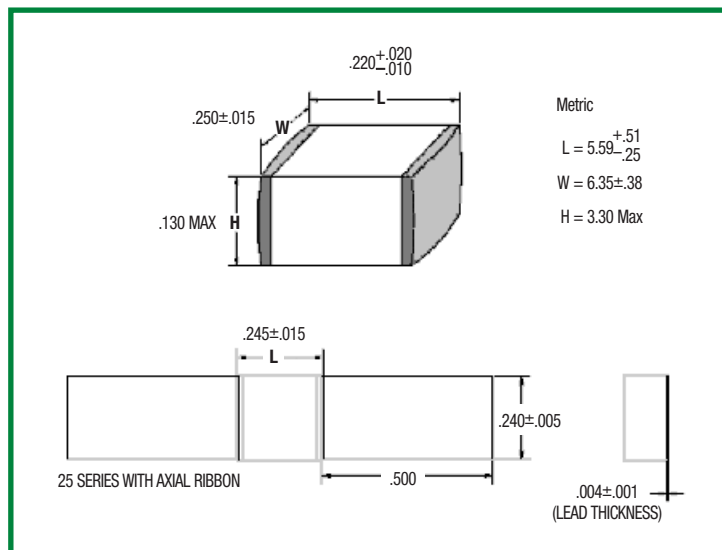
25 - **4R7** - **B** - **2500** - **W** - **F** - **R**
 Series Capacitance Code Tolerance DC Working Voltage Termination Material Lead

Voltronics Corporation 25 Series Capacitance Values

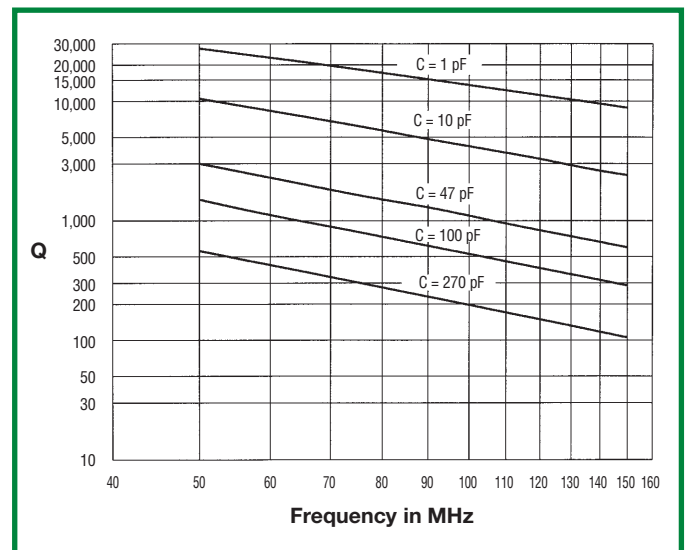
Capacitance (pF)	Capacitance Code	Tolerance	Working Voltage
1	1R0	A,B,C	2,500
1.2	1R2	B,C	
1.5	1R5		
1.8	1R8		
2.2	2R2		
2.7	2R7		
3.3	3R3		
3.9	3R9	G,J,K	
4.7	4R7		
5.6	5R6		
6.8	6R8		
8.2	8R2		
10	100		
12	120		
15	150		
18	180		
22	220		
27	270		
33	330		
39	390		
47	470		
56	560		
68	680		
82	820		

Capacitance (pF)	Capacitance Code	Tolerance	Working Voltage
100	101	G,J,K	2,500
120	121		
150	151		
180	181		
220	221		
270	271		1,500
330	331		
390	391		
470	471		
560	561		
680	681	1,000	
820	821		
1000	102		
1200	122		
1500	152		500
1800	182		
2200	222	300	
2700	272		

OUTLINE DRAWING



QUALITY FACTOR (Q)



NOTE: For a detailed Q chart go to www.voltronicscorp.com