

NMCB-K SERIES

Non-Magnetic Trimmer Capacitors

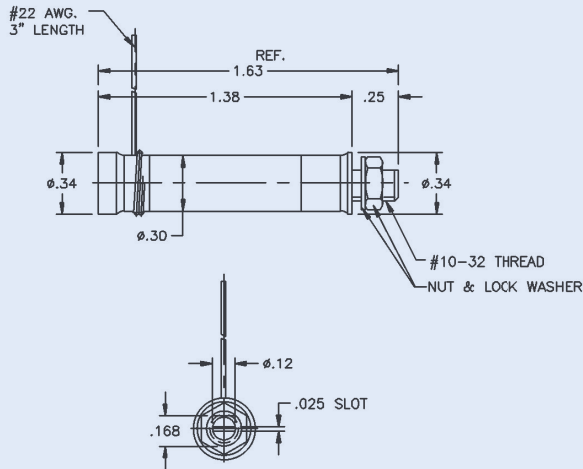
CRYOGENIC TUNABLE TRIMMER CAPACITORS AT 4°K AND ABOVE

GENERAL SPECIFICATIONS

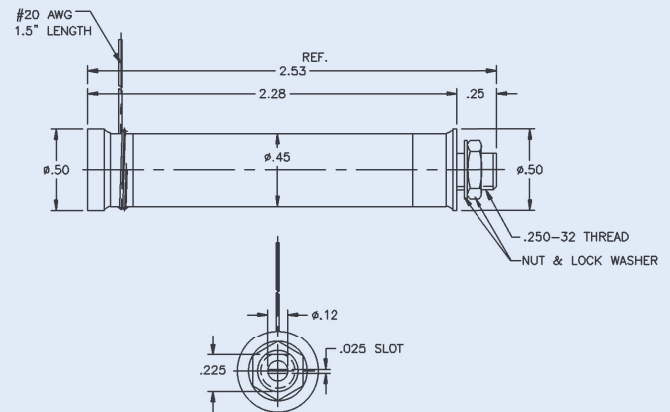
Part Number	NMCB10-5CK	NMCB20-5CK
Capacitance	1.0 to 10pF	1.0 to 20pF
DC Working Voltage	1500	
DC Withstanding Voltage	3000	
Q at 25MHz at maximum rated C	2000	
Capacitance Drift	Less than 2% at 77°K	
Insulation Resistance	10 ⁶ megohms at 25° C	
Operating Temperature	4° K and above	
Rotational Life	10,000 turns	
Torque	0.5-3.0 in-oz	
Tunable	4° K and above	
Drawing tolerances where not specified	xxx +/- .005 xx +/- .016	

LEAD CONFIGURATION

NMCB10-5CK



NMCB20-5CK



Extended Shaft Option:

Extended metal shaft: Add "E" to part number, (ex: NMCB20-5CKE)

This series was designed exclusively for cryogenic applications.