

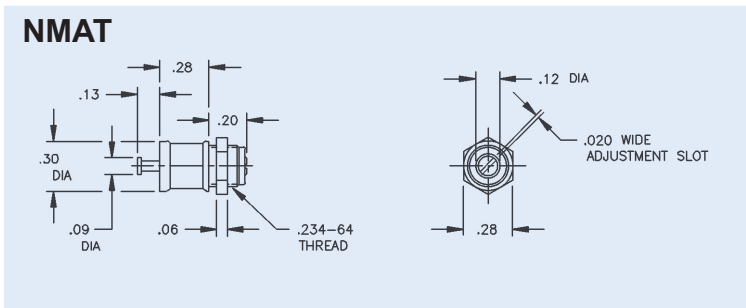
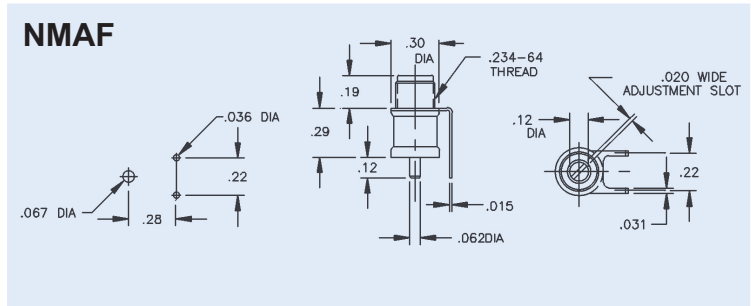
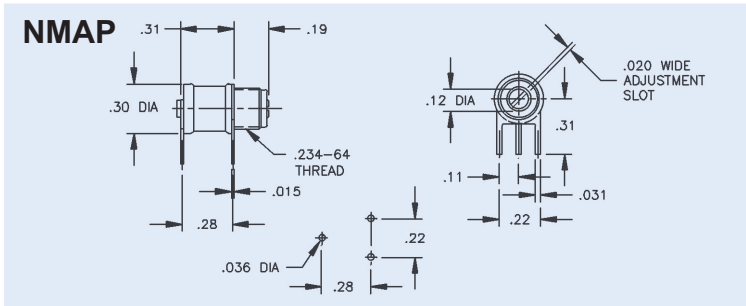
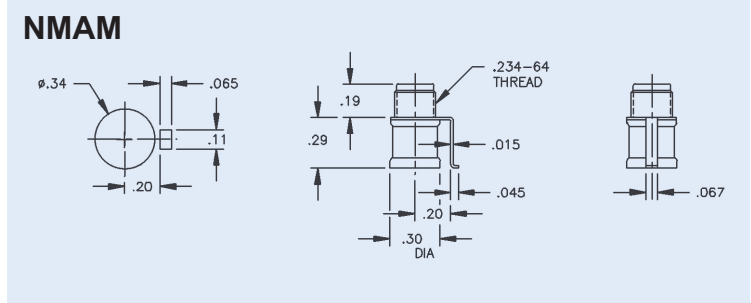
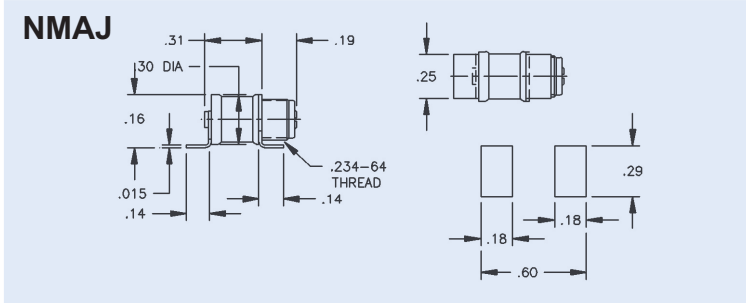
NMA-K SERIES Non-Magnetic Trimmer Capacitors

CRYOGENIC TUNABLE TRIMMER CAPACITORS AT 4°K AND ABOVE

GENERAL SPECIFICATIONS

Part Number	NMA_5K	NMA_10K	NMA_14K
Capacitance	1.0 to 5pF	1.0 to 10pF	1.0 to 14pF
DC Working Voltage	250	250	125
DC Withstanding Voltage	500	500	250
Q at 25MHz at maximum rated C	5000	5000	3000
Capacitance Drift	Less than 2% at 77°K		
Insulation Resistance	10 ⁶ megohms at 25°C		
Operating Temperature	4°K and above		
Rotational Life	10,000 turns		
Torque	0.5-3.0 in-oz		
Tunable	4°K and above		
Drawing tolerances where not specified	xxx +/- .005 xx +/- .016		

LEAD CONFIGURATION



Extended Shaft Option:
Extended metal shaft: Add "E" to part number, (ex: NMAJ10KE)