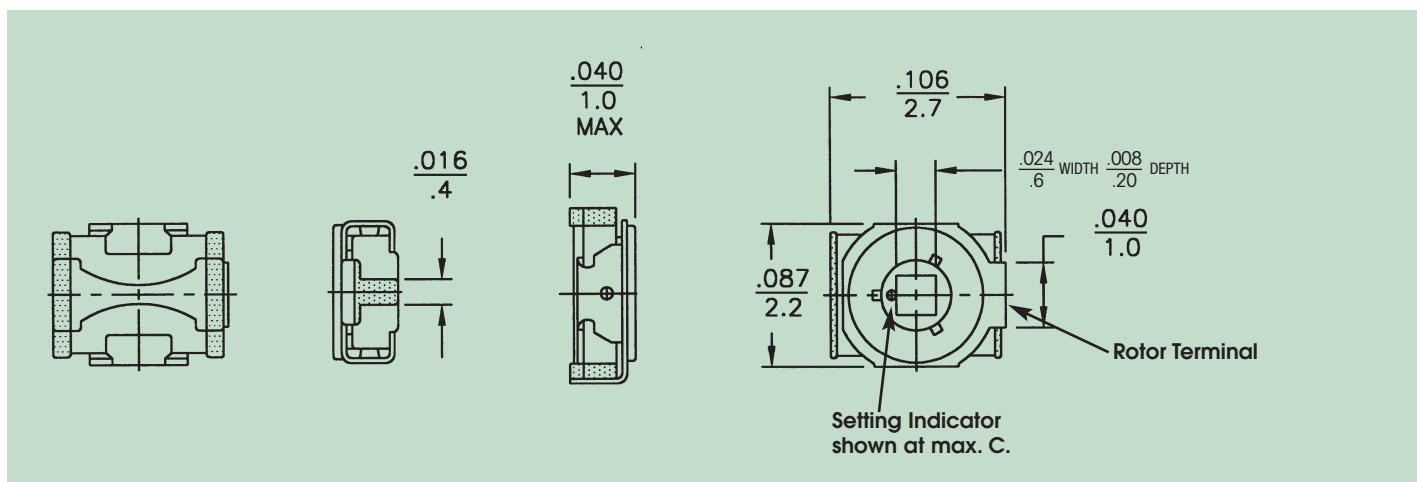


# JQ SERIES - Ceramic Chip Trimmer Capacitors

## GENERAL SPECIFICATIONS

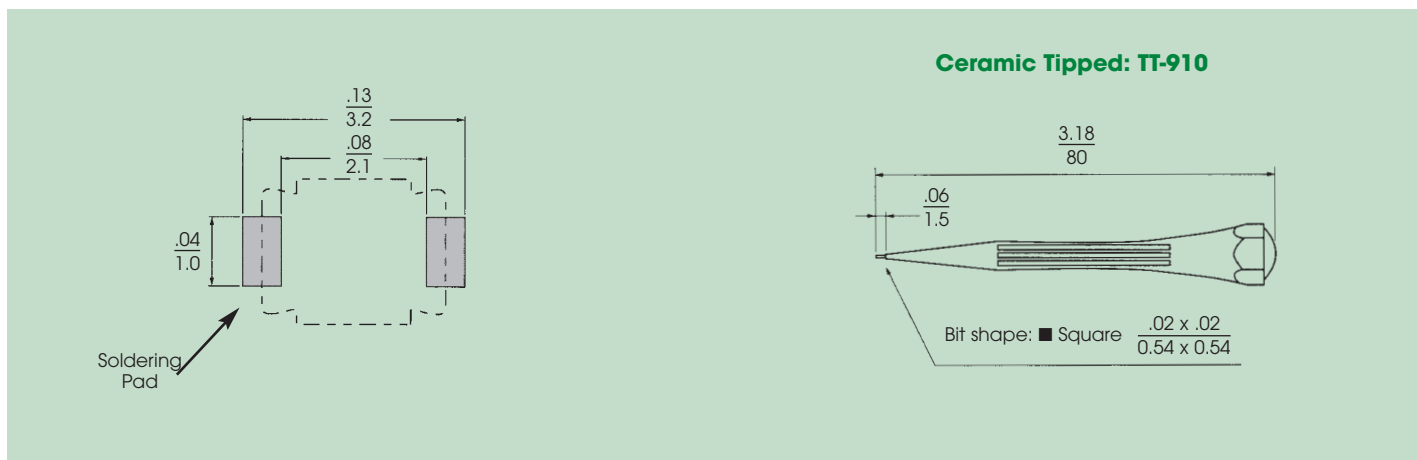
Part Number		JQ060	JQ100	JQ200
Capacitance (pF)	Minimum	3.0	3.5	7.0
	Maximum	6.0 <sup>+100%</sup> <sub>-0%</sub>	10.0 <sup>+100%</sup> <sub>-0%</sub>	20.0 <sup>+100%</sup> <sub>-0%</sub>
Marking Color		None	None	None
DC Working Voltage		25	25	25
DC Withstanding Voltage		55	55	55
Temperature Coefficient (ppm/°C)		0 ± 300	0 ± 300	-750 ± 500
Q (min.) at 1 MHz		500	500	500
Self Resonant Frequency at Maximum Rated Capacitance		1.6 GHz	1.2 GHz	0.9 GHz
Insulation Resistance		10 <sup>4</sup> megohms		
Operating Temperature		-25°C to +85°C		
Torque		.07 to 7.0 in-oz		
Packaging		All parts furnished on 8mm tape and reel. 3,000 pcs. per reel.		



Drawing tolerances where not specified  $\pm 0.020$  in.  
 $\pm 0.5$  mm

## SOLDER PAD LAYOUT

## RECOMMENDED TUNING TOOL FOR JQ SERIES



Recommended thickness of solder paste 0.15mm